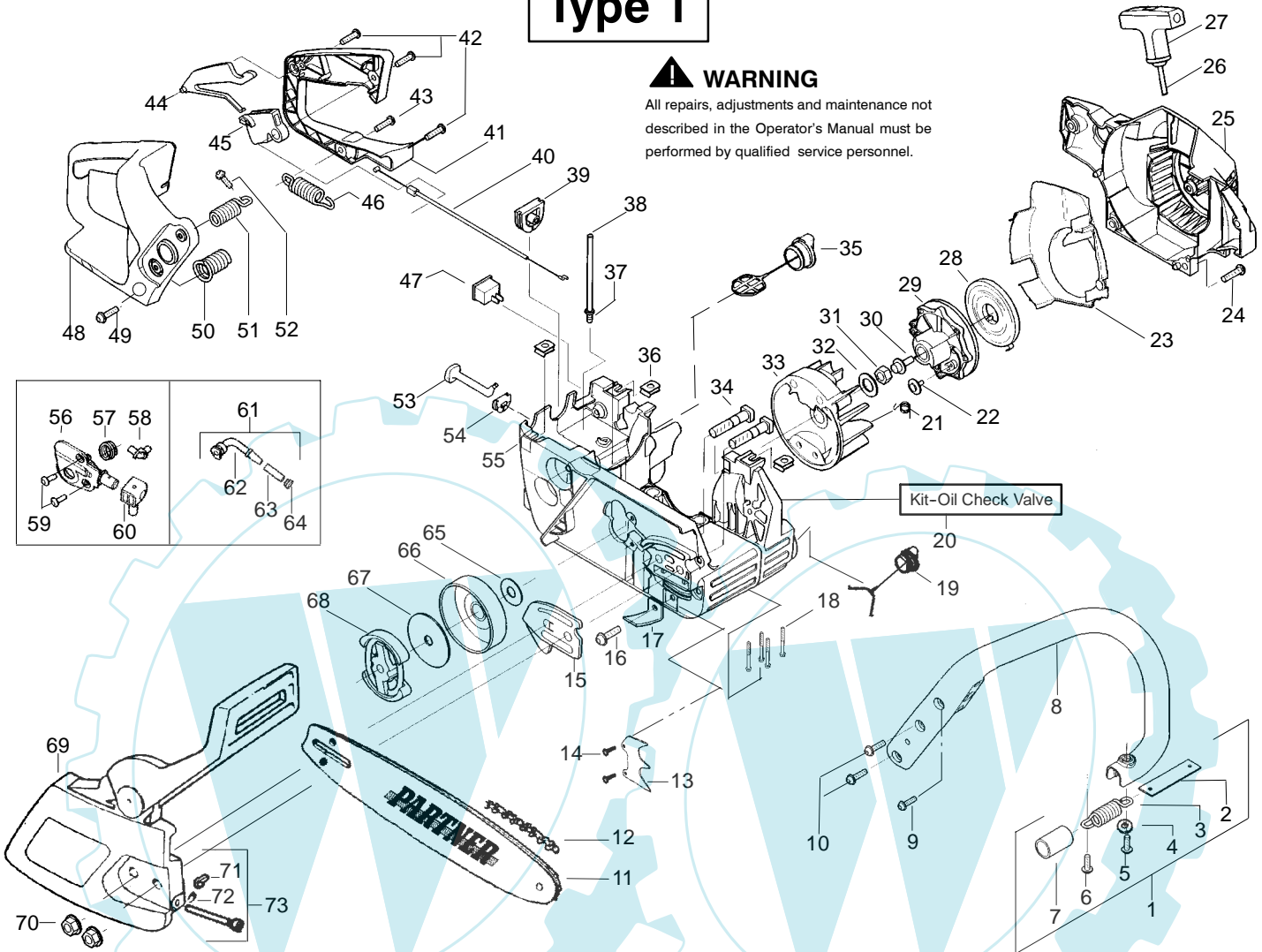


PARTS LIST NO. <b>530163177</b>		<b>PARTNER</b> ® PARTS LIST	CHAIN SAW MODEL(s) <b>371</b>
DATE <b>2/17/04</b>	Replaces 530163177 - 2/17/03		<b>Note:</b> Illustration may differ from actual model due to design changes

# Type 1

## ⚠ WARNING

All repairs, adjustments and maintenance not described in the Operator's Manual must be performed by qualified service personnel.



Ref.	Part No.	Description	Ref.	Part No.	Description	Ref.	Part No.	Description
1.	530047963	Assy. - Isolator	25.	530056333	Housing - Fan	51.	530071385	Kit - Isolator (Upper)
2.	530047608	Strap - Limiter	26.	530069232	Kit - Rope	52.	530015875	Screw
3.	530042082	Spring - Isolator	27.	530056402	Handle - Starter	53.	530047605	Knob - Choke
4.	530015123	Washer	28.	530027531	Spring - Recoil	54.	530049005	Grommet - Knob
5.	530016018	Screw	29.	530037817	Pulley - Starter	55.	530056596	Assy - Chassis
6.	530015843	Screw	30.	530015920	Screw	56.	530071259	Kit - Oil Pump (Incls. 57,58,60)
7.	530036142	Sleeve - AV Spring	31.	530016134	Nut - Flywheel	57.	530037820	Gear - Worm Spring
8.	530047583	Handle - Front	32.	530015127	Washer - Flywheel	58.	530049477	Elbow - Oil Pickup
9.	530015940	Screw	33.	530039209	Assy - Flywheel	59.	530016064	Screw
10.	530015814	Screw	34.	530016133	Bolt - Bar	60.	530019206	Seal Block
11.	530044898	Bar - 14"	35.	530047192	Assy - Fuel Cap	61.	530047663	Assy - Oil Pickup (Incl. 62 - 64)
	530044899	Bar - 16"	36.	530015922	Nut - "U" - Type	62.	530038373	Pick - up Oiler
12.	505369852	Chain 14"	37.	530023877	Fitting - fuel line	63.	530037821	Filter - Oil
	505369856	Chain 16"	38.	530069216	Kit - Fuel line (large)	64.	530030189	Plug - Oil Filter
13.	530014381	Kit - Assy Spike (incl. 14)	39.	530047631	Grommet - Cable	65.	530015907	Washer - Thrust
14.	530015805	Screw	40.	530047602	Cable - Throttle	66.	530047061	Assy. - Clutch Drum w/bearing
15.	530038238	Plate - Bar Mounting	41.	530047581	Cover - Rear Handle	67.	530015611	Washer - Clutch
16.	530015814	Screw	42.	530015906	Screw	68.	530014949	Assy. Clutch
17.	530029850	Chain Catcher	43.	530015886	Screw	69.	530054739	Assy - Chain Brake
18.	530016132	Screw	44.	530036098	Lockout - Throttle	70.	530015917	Nut - Bar Mounting
19.	530010846	Assy - Oil Cap	45.	530036097	Trigger - Throttle	71.	530015826	Pin - Retainer
20.	530071666	Kit - Oil Check valve	46.	530042082	Spring	72.	530038593	Retainer
21.	530023817	Spring - Starter Dog	47.	530069572	Kit - Switch	73.	530069611	Kit - Bar Adjust
22.	530016080	Screw	48.	530047582	Handle - Rear			
23.	530055723	Baffle - Air	49.	530015814	Screw			
24.	530015892	Screw	50.	530053274	Assy. Isolator - lower			

↗ = NEW PART NUMBER FOR THIS IPL

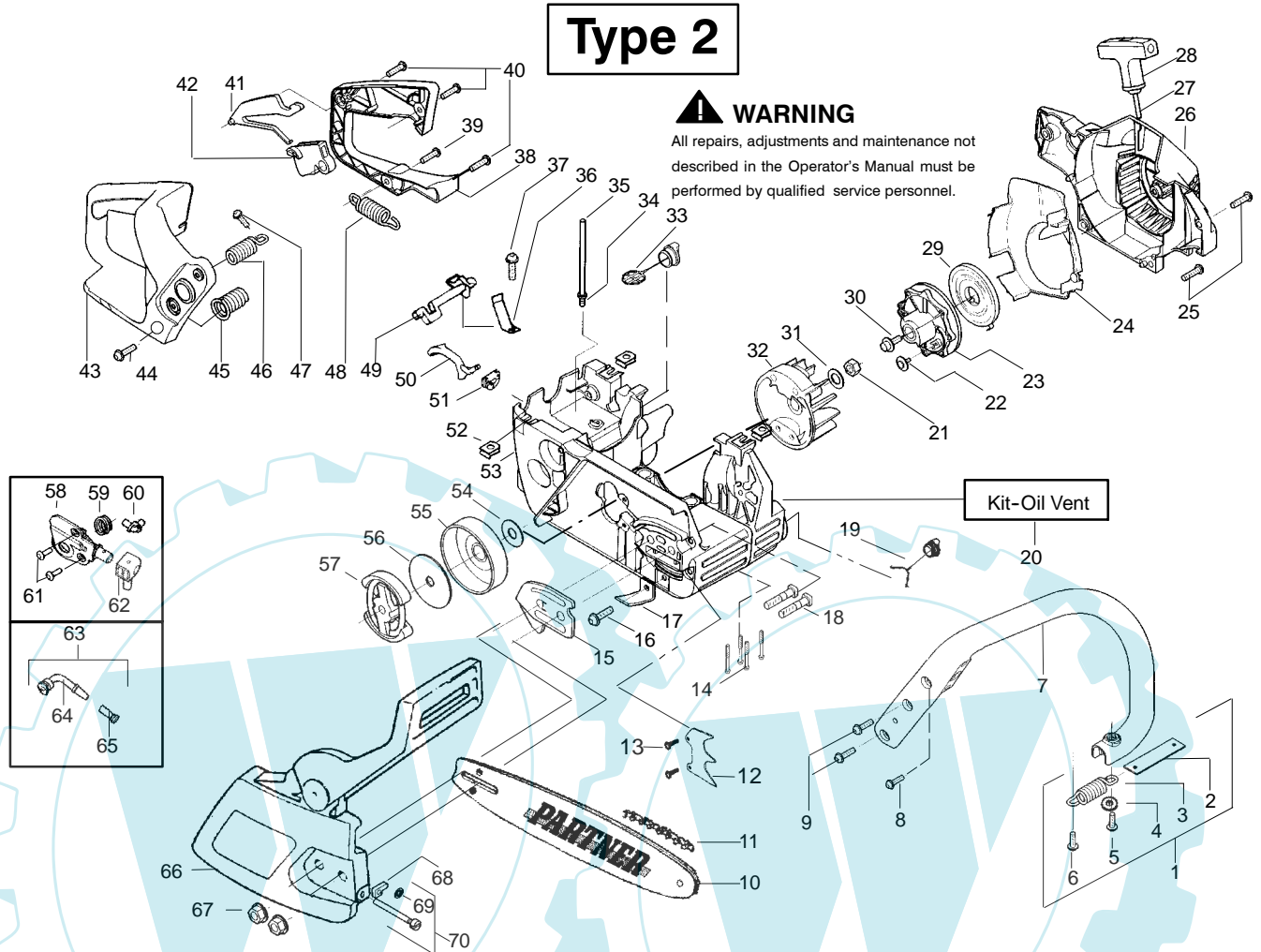
\* = REFER TO THE SERVICE REFERENCE INDICATED FOR MORE INFORMATION. (LOCATED AT END OF IPL)

PARTS LIST NO. <b>530163177</b>		<b>PARTNER</b> ® PARTS LIST	CHAIN SAW MODEL(s) <b>371</b>
DATE <b>2/17/04</b>	Replaces 530163177 - 2/17/03		<b>Note:</b> Illustration may differ from actual model due to design changes

## Type 2

### ⚠ WARNING

All repairs, adjustments and maintenance not described in the Operator's Manual must be performed by qualified service personnel.



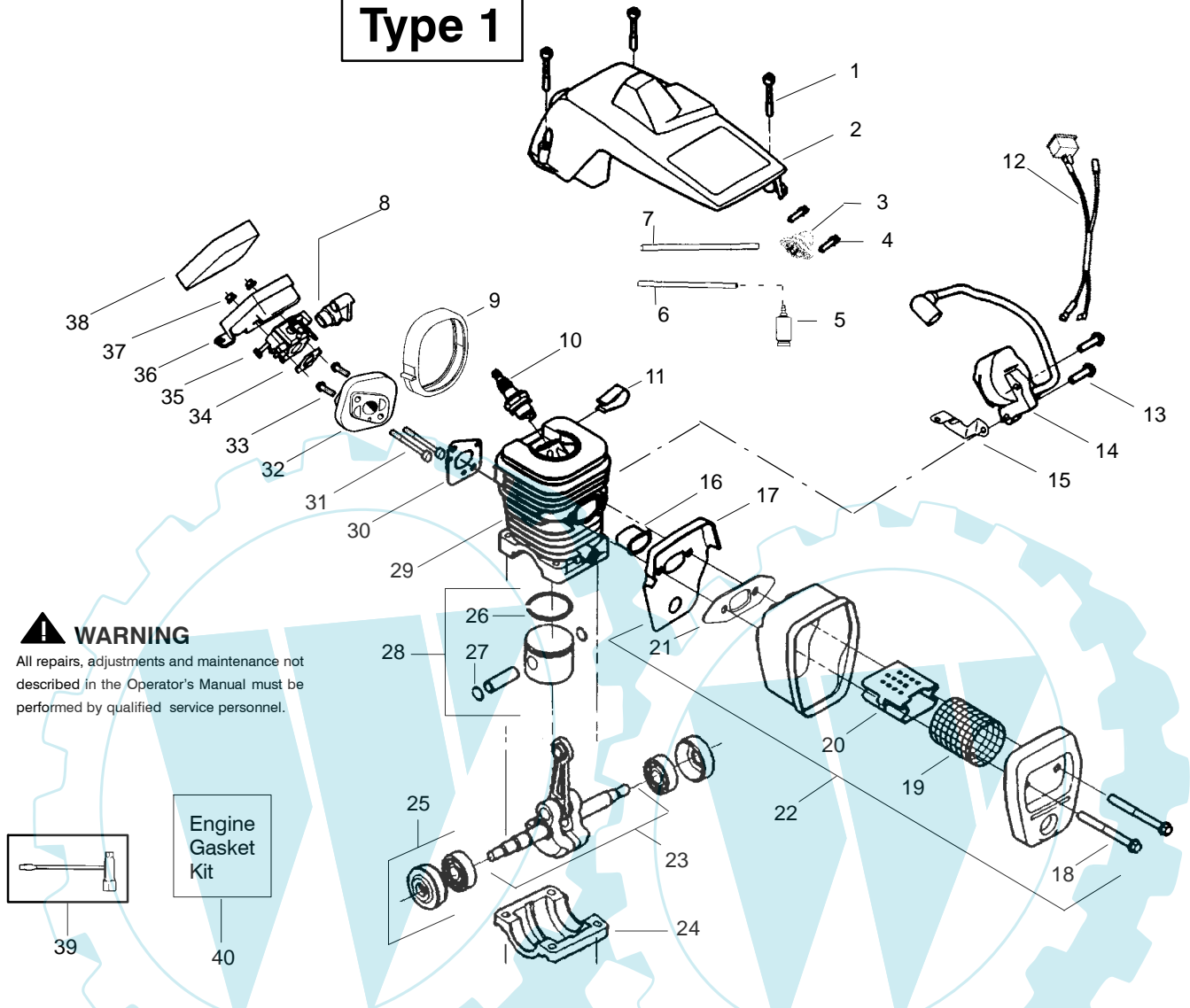
Ref.	Part No.	Description	Ref.	Part No.	Description	Ref.	Part No.	Description
1.	530047963	Assy.-Isolator	28.	530056402	Handle-Starter	55.	530047061	Assy.-Clutch Drum w/bearing
2.	530047608	Limiter Strap	29.	530027531	Spring-Recoil	56.	530015611	Washer-Clutch
3.	530042082	Spring-Isolator	30.	530015920	Screw	57.	530014949	Assy. Clutch
4.	530015158	Washer	31.	530015127	Washer-Flywheel	58.	530071259	Kit - Oil Pump (incl. 59,60,62)
5.	530016018	Screw	32.	530039187	Assy-Flywheel	59.	530037820	Gear-Worm Spring
6.	530015843	Screw	33.	530047192	Assy-Fuel Cap	60.	530049477	Elbow-Oil Pickup
7.	530047583	Front Handle	34.	530023877	Fitting-fuel line	61.	530016064	Screw
8.	530015940	Screw	35.	530069216	Kit-Fuel line (large)	62.	530019206	Seal Block
9.	530015814	Screw	36.	530016149	Spring-Switch	63.	530047663	Assy-Oil Pick-up (Incl. 64,65)
10.	530044898	Bar - 14"	37.	530015775	Screw	64.	530038373	Pick-up Oiler
11.	530044899	Bar - 16"	38.	530047581	Cover-Rear Handle	65.	530056533	Filter-Oil
	505369852	Chain - 14"	39.	530015886	Screw	66.	530054739	Assy.-Chain Brake
	505369856	Chain - 16"	40.	530015906	Screw	67.	530015917	Nut-Bar Mounting
12.	530014381	Kit-Spike (Incl. 13)	41.	530036098	Throttle Lockout	68.	530015826	Pin-Bar Adjust
13.	530015805	Screw	42.	530036097	Trigger-Throttle	69.	530038593	Retainer
14.	530016132	Screw	43.	530047582	Handle - Rear	70.	530069611	Kit-Bar Adjusting (incl. # 68,69)
15.	530038238	Plate-Bar Mount.	44.	530015814	Screw			
16.	530015814	Screw	45.	530053274	Assy Isolator-lower			
17.	530029850	Chain Catcher	46.	530071385	Kit-Isolator (Upper)			
18.	530016133	Bolt-Bar	47.	530015875	Screw			
19.	530010846	Assy-Oil Cap	48.	530042082	Spring-Isolator			
20.	530071666	Kit-Oil Vent	49.	530057473	Lever-Switch			
21.	530016134	Nut-Flywheel	50.	530057474	Lever-Choke			
22.	530016080	Screw	51.	530049005	Grommet-Knob			
23.	530037817	Starter Pulley	52.	530015922	Nut-"U"-Type			
24.	530055723	Baffle-Air	53.	530058733	Kit-Chassis Assy. fuel lines and caps )			
25.	530015892	Screw			Washer-Thrust			
26.	530056333	Housing-Fan	54.	530015907				
27.	530069232	Kit - Rope						

↗ = NEW PART NUMBER FOR THIS IPL

★ = REFER TO THE SERVICE REFERENCE INDICATED FOR MORE INFORMATION. (LOCATED AT END OF IPL)

PARTS LIST NO. <b>530163177</b>		<b>PARTNER</b> ® PARTS LIST	CHAIN SAW MODEL(S) <b>371</b>
DATE <b>2/17/04</b>	Replaces 530163177 - 2/17/03		NOTE: Illustration may differ from actual model due to design changes

# Type 1



**WARNING**  
All repairs, adjustments and maintenance not described in the Operator's Manual must be performed by qualified service personnel.

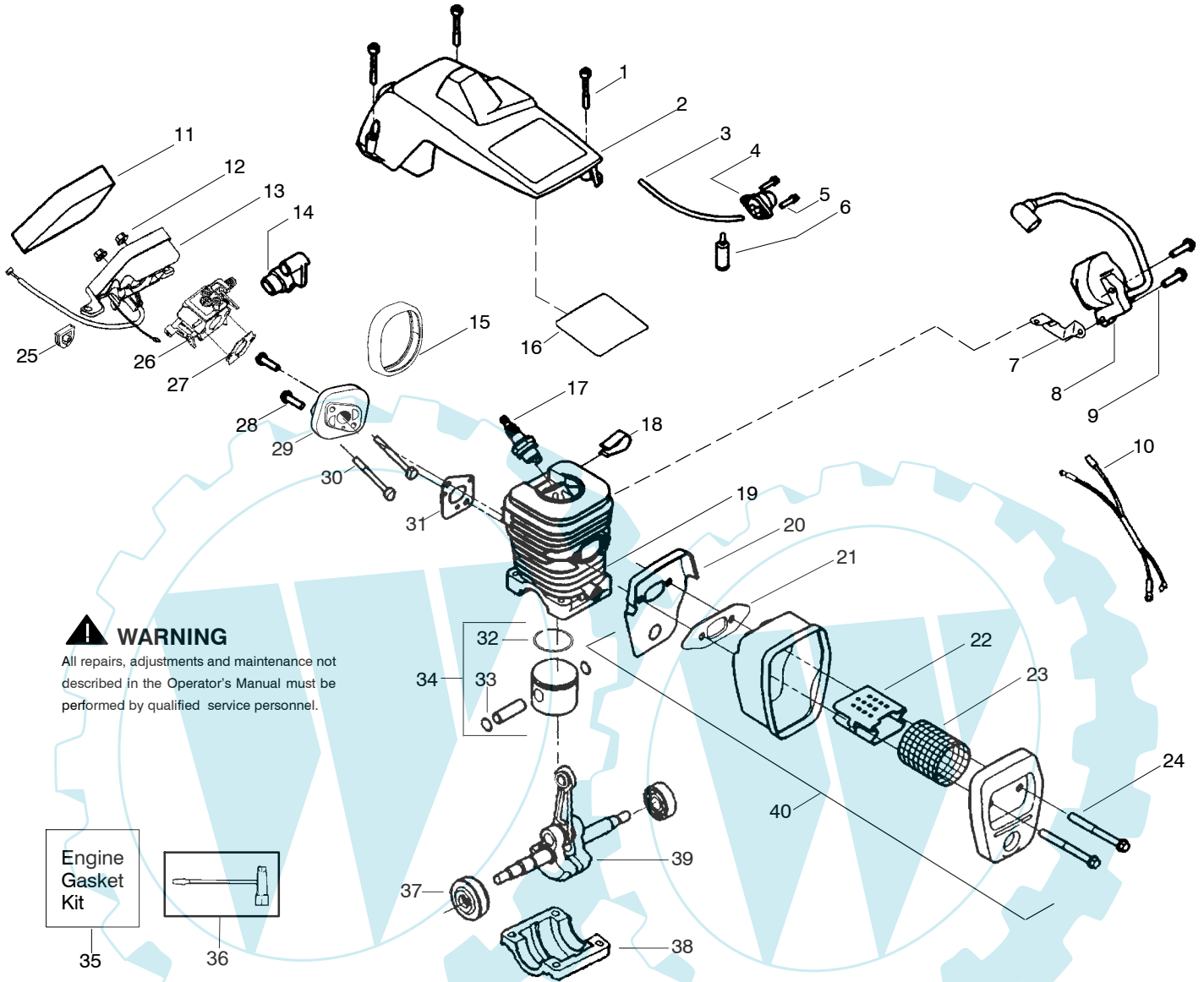
Engine Gasket Kit

Ref.	Part No.	Description	Ref.	Part No.	Description	Ref.	Part No.	Description
1.	530016153	Screw	19.	530036103	Screen-Spark	36.	530047604	Housing-Air Filter
2.	530056914	Assy-Cylinder Shield	20.	530037813	Diffuser-Muffler	37.	530016101	Nut
3.	530047213	Assy-Air Purge	21.	530069608	Gasket-Muffler (kit)	38.	530037793	Air Filter - Foam
4.	530015780	Screw	22.	530047207	Assy-Muffler (Incl. 17-21)	39.	530031135	Wrench-Bar
5.	530095646	Assy-Fuel Pick-up Kit-Line Purge/Carb. (Small Dia)	23.	530047062	Assy-Crankshaft	40.	530069608	Kit-Engine Gasket (incl. 34,30,21)
6.	530069247	Kit-Line Purge/Tank (large line)	24.	530037935	Cap-Crankcase			
7.	530069216	Kit-Line Purge/Tank (large line)	25.	530056363	Assy-Seal & Bearing			
8.	530035526	Grommet-Carb Adjust.	26.	530038729	Ring-Piston			
9.	530054144	Seal-Carb Adapter	27.	530015697	Retainer - Piston Pin			
10.	952030150	Spark Plug (RCJ-7Y)	28.	530071408	Kit-Piston - (incl. 26-27)			
11.	530016136	Clip-High Tension Lead	29.	530071412	Kit-Cylinder			
12.	530049117	Assy-Wire Harness (includes switch)	30.	530069608	Gasket-Carb. Adapter (kit)			
13.	530015814	Screw	31.	530016187	Screw			
14.	530039167	Module-Ignition	32.	530049700	Kit-Carb. Adapter			
15.	530047442	Strap-Ground	33.	530016386	Screw			
16.	530037652	Insulator-Heat	34.	530069608	Carb. Gasket (kit)			
17.	530049870	Back Plate-Muffler	35.	---	Kit-Carburetor (WT-391)			
18.	530016132	Screw		530069722	(WT-625)			
				530071621				
								Not Shown
								530163553 Manual - (Scan)
								530163662 Manual - (Euro I)
								530163663 Manual - (Euro II)

↖ = NEW PART NUMBER FOR THIS IPL

★ = REFER TO THE SERVICE REFERENCE INDICATED FOR MORE INFORMATION. (LOCATED AT END OF IPL)

PARTS LIST NO. <b>530163177</b>		<b>PARTNER</b> ® PARTS LIST	CHAIN SAW MODEL(S) <b>371</b>
DATE <b>2/17/04</b>	Replaces 530163177 - 2/17/03		Note: Illustration may differ from actual model due to design changes



**WARNING**

All repairs, adjustments and maintenance not described in the Operator's Manual must be performed by qualified service personnel.

Engine Gasket Kit



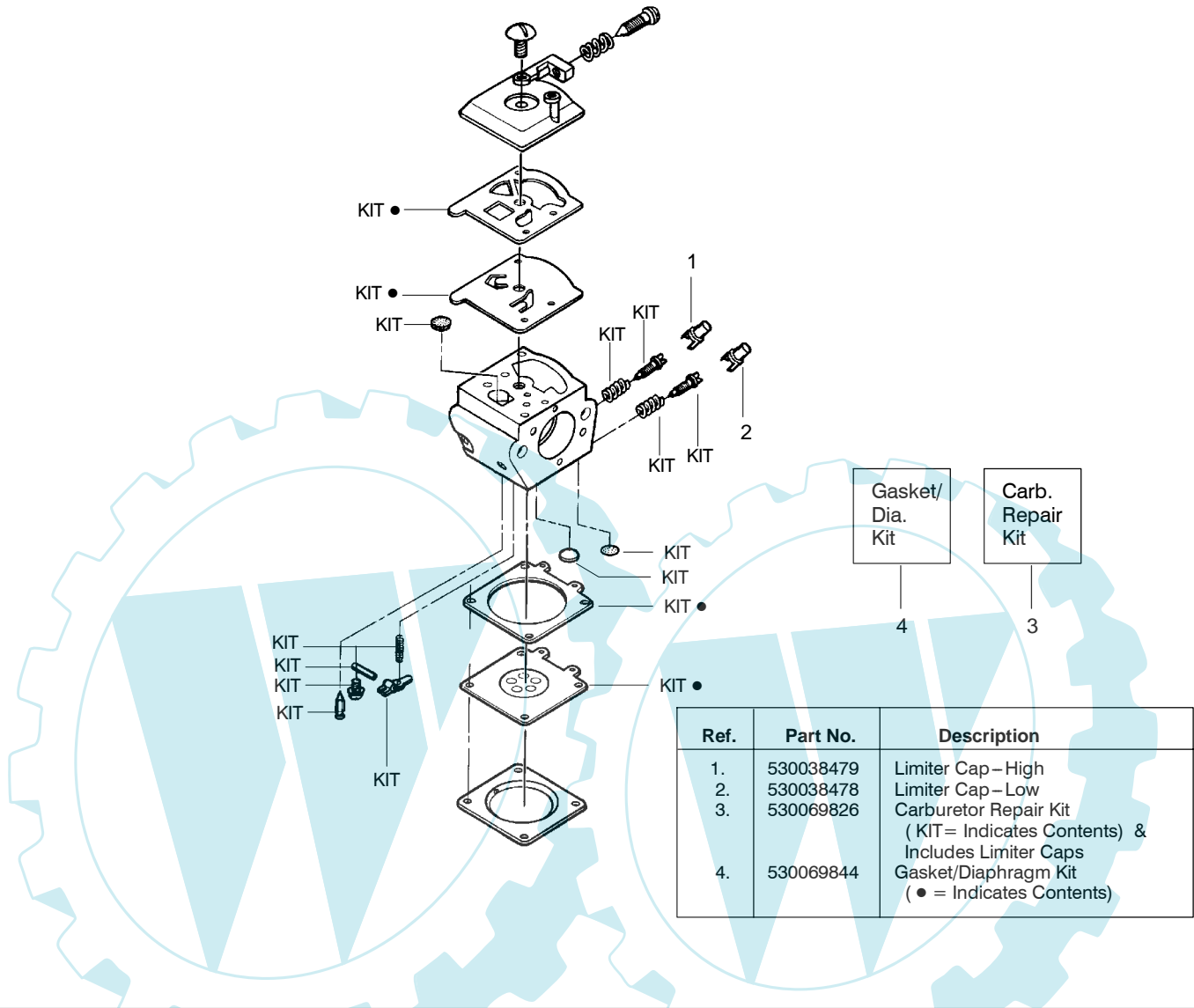
Ref.	Part No.	Description	Ref.	Part No.	Description	Ref.	Part No.	Description
1.	530016153	Screw	19.	530012550	Cylinder	34.	530071408	Kit-Piston (Incl. 32 & 33)
2.	530056914	Assy-Cylinder Shield (includes # 16)	20.	530049870	Backplate-Muffler	35.	530069608	Kit-Engine Gasket (Incl. 21, 27 & 31)
3.	530069247	Kit-Fuel Line (Small)	21.	530069608	Gasket-Muffler(kit)	36.	530031135	Bar Wrench
4.	530047213	Assy-Air Purge	22.	530037817	Diffuser-Muffler	37.	530056363	Assy-Seal & Bearing
5.	530015780	Screw	23.	530036103	Screen-Spark	38.	530037935	Cap-Crankcase
6.	530095646	Assy-Fuel Pick-up	24.	530016132	Bolt-Muffler	39.	530047062	Assy-Crankshaft
7.	530047442	Strap-Ground	25.	530047631	Grommet-Throttle Cable	40.	530047207	Assy-Muffler (Incl. 20-24)
8.	530039198	Ignition Module	26.	---	Kit-Carburetor			Not Shown
9.	530015814	Screw	✓	530071820	Zama (W-20)			
10. ✓	530057475	Assy-Wire Harness	✓	530071821	Walbro (WT-662)			
11.	530037793	Foam-Air Filter	27.	530069608	Gasket-Carb. (kit)			
12.	530016101	Nut	28.	530016386	Screw			
13. ✓	530057702	Assy-Air Box	29.	530049700	Carb. Adapter			Manuals (Scan)
14.	530035526	Grommet-Carb Adjust	30.	530016187	Screw	✓	530164669	(Euro I)
15.	530054144	Seal-Carb Adapter	31.	530069608	Gasket-Adaptor(kit)	✓	530164667	(Euro II)
16.	530055698	Reflector-Heat	32.	530038729	Ring-Piston	✓	530164668	
17.	952030150	Spark Plug (RCJ-7Y)	33.	530015697	Retainer-Piston Pin			
18.	530016136	Clip-High Tension Lead						

✓ = NEW PART NUMBER FOR THIS IPL

\* = REFER TO THE SERVICE REFERENCE INDICATED FOR MORE INFORMATION. (LOCATED AT END OF IPL)

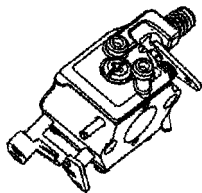
PARTS LIST NO. <b>530163177</b>		<b>PARTNER</b> ® PARTS LIST	CHAIN SAW MODEL(S) <b>371</b>
DATE <b>2/17/04</b>	Replaces 530163177 - 2/17/03		<b>Note:</b> Illustration may differ from actual model due to design changes

**Carburetor Assembly – WT-391 – #530069722**



Ref.	Part No.	Description
1.	530038479	Limiter Cap – High
2.	530038478	Limiter Cap – Low
3.	530069826	Carburetor Repair Kit (KIT= Indicates Contents) & Includes Limiter Caps
4.	530069844	Gasket/Diaphragm Kit (● = Indicates Contents)

**Kit - Carburetor Assembly No. 530071621 - WT-625**  
**Kit - Carburetor Assembly No. 530071820 - W-20**  
**Kit - Carburetor Assembly No. 530071821 - WT-662**



**Note: No Repair kits are available for these carburetors**

✓ = NEW PART NUMBER FOR THIS IPL

★ = REFER TO THE SERVICE REFERENCE INDICATED FOR MORE INFORMATION. (LOCATED AT END OF IPL)